

PMX

D I G I T A L P A N E L M E T E R S



FOR ACCURATE
MONITORING AND
ENERGY SAVINGS.

LIVE THE ADVANTAGE

The pace of life today demands continuous upgrades in efficiency and ways to live smarter. At Legrand, we anticipate your needs with technologically advanced products, investing as much as 5% on R&D to deliver superior electrical and digital building infrastructure.

As global specialists, we make things that are not just essential but actually desirable. Our engineering is exacting, and is fuelled by design thinking. We call this Designeering. It's not just a deep understanding of our markets, but delivering innovation and technology for uninterrupted living. Such expertise helps us fulfil your needs. It also ensures that we keep introducing products that change the way you look at form and function. The energy efficient PMX Digital Panel Meter is a case in point. It helps you keep an active eye on the consumption levels and become energy positive.





PMX

DIGITAL PANEL METERS

Our PMX range is a universally compatible metering solution that helps manage energy consumption, efficiency and load.

PMX meters can track and manage energy consumption of your facilities and by accurate monitoring, enhance their efficiencies. The digital meters are manufactured to the strictest international standards bring the organisation closer to an energy-efficient future.

“PRECISION ELIMINATES
GUESSWORK”

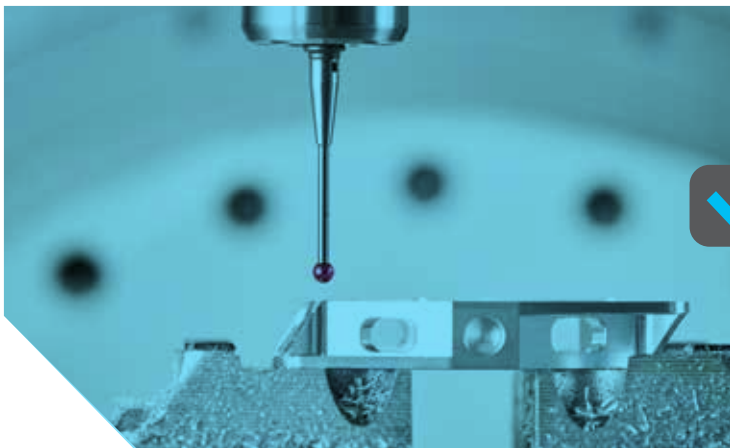
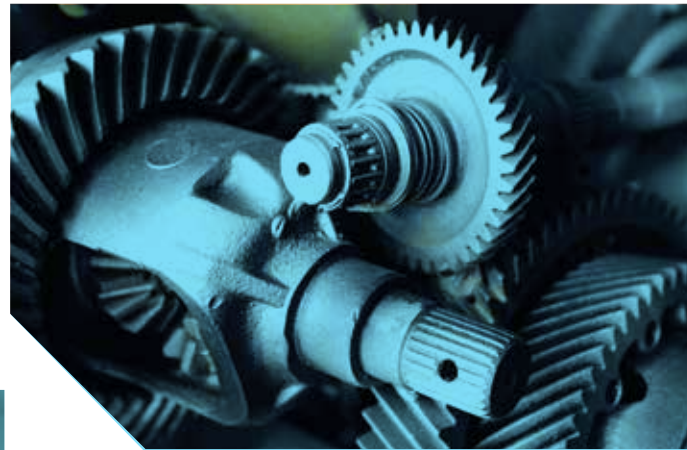






ROBUST

- ✓ Single function meter to advanced level MFM and Demand Controllers.
- ✓ Ensures accurate wiring with ease
- ✓ Cost effective



PRECISE

- ✓ True RMS measurement
- ✓ High Accuracy class 1 & class 0.5s
- ✓ Detailed measurements with auto-scaling

WHY IS **PMX** PERFECT FOR YOUR FACILITY?



ADAPTABLE

- ✓ Universal control power supply
- ✓ Site selectable CT/PT ratios
- ✓ Seamless integration with EMS/SCADA

FEATURE-PACKED PMX



WIDE RANGE

The wide range of PMX Digital Meters calculate the overall split in energy consumption. From measuring energy consumption at a small refrigeration unit via single function meter to multi-function meters for multiple parameters. With in-place demand controllers, the facilities can manage their power consumption effectively, without compromising on critical systems..



ROHS COMPLIANT

A sustainable future sees reduced environmental and health impacts of electronics. PMX Digital Meters are RoHS (Reduction of Hazardous Substances) compliant and allow for a level of protection for a clean and green environment.



SEAMLESS INTEGRATION

Our meters are fully compatible with SCADA and third-party Energy Management Systems that are Modbus compatible. This makes them almost universally compatible with different software solutions, and allows for complete transparency during data transfer.



TRUE RMS SENSING

This industry standard measure gives accurate readings every time for effective interventions.



ACCURATE LABELLING

PMX Digital Meters are user-friendly with clearly marked wiring positions on the rear label. This reduces chances of error and possible equipment damage.

AUTO-SCROLLING

PMX Digital Meters feature the option to set time for auto-scrolling of various parameters such as current, voltage and energy for hassle-free parameter check

DEDICATED BUTTONS

Scrolling through endless configurations and options can be time consuming. The easy-use buttons, of PMX Digital Meters have segregated these configurations to help save time while choosing between Basic/Power/Energy parameters.

ADAPTIVE PROGRAMMING

While the needs on the field may vary, PMX Digital Meters are compatible with site selectable CT/PT ratios, universal control power supply 80 – 300V AC/DC, 40-70Hz and option to select 3Phase 4Wire, 3Phase 3Wire and 1Ph configurations. This modular approach is designed to ensure that all sorts of needs can be addressed.

FEATURE-PACKED PMX

✓ CT/PT PROGRAMMING

PMX Digital Meters provide a universal solution to complex load problems across geographies. Just input the CT/PT ratio and the intelligent design takes care of the rest.

✓ AUTO SCALING

With limited display areas on the meter monitor, keeping track of consumption over sustained periods of time is easy. With automatic scaling, the switch between Kilowatt hour, Megawatt hour and Gigawatt hour is automatic, and accurate always.

✓ ROBUST SAFEGUARDS

Secured access to parameters is guaranteed, with unique safeguards such as password protection to ensure that critical power management systems cannot be easily compromised.







“EXCELLENCE
COMES FROM
PRECISION.”

PMX 1000

precise single function meters



4149 77



4149 78

- RoHS Compliance
- True RMS measurement
- High accuracy with class 1 as per IEC 62053-21
- Volts & Amps: $\pm 1.0\%$ of Rated Current.
- Bright 7 Segment LED display with four digit resolution and 14mm Height
- Auto and Manual scrolling
- Site selectable CT/PT ratios
- Site selectable CT Secondary 1 A/5 A
- Site selectable 3Phase 4Wire, 3Phase 3Wire & 1Ph configuration
- Suitable for 50/60 Hz
- Wide range of control power supply 80 - 300 V AC, 40-70 Hz
- Low burden < 0.2 VA per phase Volts & Amps
- Average & Phase wise measurements
- Password protection

Pack	Cat.Nos	Model Series	Description	MRP* ₹/Unit
1	4149 75	PMX 1100	1Ph Ammeter CI 1	1105
1	4149 76	PMX 1200	1Ph Voltmeter CI 1	1105
1	4149 77	PMX 1103	3Ph Ammeter CI 1	1630
1	4149 78	PMX 1203	3Ph Voltmeter CI 1 + Hz	1630

General Applications

1Ph & 3Ph Voltage & Ampere measurements
 Electrical load monitoring
 Test benches, control panels & Genset panels
 Capacitor rated current measurement in capacitor panels

PMX 4000

true VAF + PF meter



4149 80

- RoHS Compliance
- Displays Current, line to neutral & line to line Voltages, frequency & Power Factor. (VA & PF - Phase Wise & Average)
- Display on Hours
- True RMS measurement with simulations sampling of Current & Voltage
- High accuracy with class 1 as per IEC 62053-21
- Volts & Amps: $\pm 1.0\%$ of Rated Current.
- 3 Row Display with LED status for different parameter selection.
- Auto and Manual scrolling
- Site selectable CT/PT ratios
- Site selectable CT Secondary 1 A/5 A
- Site selectable 3Phase 4Wire, 3Phase 3Wire & 1Ph configuration
- Suitable for 50/60 Hz
- Universal control power supply 80 - 300 V AC/DC, 40-70 Hz
- Low burden < 0.2 VA per phase Volts & Amps
- Average & Phase wise measurements
- Password protection
- Seamless integration with EMS/SCADA system with RS485 serial channel communication, Industry standard Modbus RTU protocol.

Pack	Cat.Nos	Model Series	Description	MRP* ₹/Unit
1	4149 79	PMX 4000	3Ph VAF + PF meter CI 1	2850
1	4149 80	PMX 4000	3Ph VAF + PF meter CI 1 with RS485	3400

General Applications

Voltage, Current, Frequency, Power Factor and On Hours monitoring in all electrical panels
 Electrical load monitoring
 Equipment monitoring
 Test benches, control panels & Genset panels

PMX 5000

smart energy meters for smart energy billing



4149 82

- RoHS Compliance
- kWh/kVA
- Old Energy register for back up of last cleared energy values
- Bright LED with parameter name and value
- Auto scaling capability in adjustment of Kilo, Mega, Giga.
- kWh / kVA / PF / W - any one programmable
- Positive energy accumulation even with CT polarity reversal with reverse lock program
- High Accuracy with class 1 as per IEC 62053-21
- Site selectable CT/PT ratios
- Site selectable CT Secondary 1 A/5 A
- Universal control power supply 80 – 300 V AC/DC, 40-70 Hz
- Password protection for tamper proofing
- Seamless integration with EMS/SCADA system with RS485 serial channel communication, Industry standard Modbus RTU protocol.
- Pulse output for integration into a process through PLC/DCS for online energy management
- Provision for Tamper proofing with meter casing*

*optional strip for tamper proofing.

Pack	Cat.Nos	Model Series	Description	MRP* ₹/Unit
1	4149 81	PMX 5000	kWh LED meter CI1	3200
1	4149 82	PMX 5000	kWh LED meter CI1 with RS485	3690
1	4149 83	PMX 5000	kWh LED meter CI1 with Pulse Output	4300

General Applications

Energy Billing
 Individual Electrical loads
 Tenant's energy billing (residential/ commercial)
 Test benches, power panels, control panels & Genset panels.

PMX 6000

multi dual source meter



4149 85

- RoHS Compliance
- Bright LED display for showing parameters for both EB & DG
- Displays full range of parameters
 Basic : VLL, VLN, A (Avg. & Phase wise), F
 Power: W, PF (Avg. & Phase wise)
 Energy: Wh
- Load Hours, Run Hours, Old Wh, Old Load Hours for both EB & DG.
- DG Sensing input - 230 VAC
- Auto scaling capability in adjustment of Kilo, Mega, Giga.
- Positive energy accumulation even with CT polarity reversal with reverse lock program.
- High Accuracy with class 1 as per IEC 62053-21 & class 0.5 as per IEC 62053-22
- Site selectable CT/PT ratios
- Site selectable CT Secondary 1 A/5 A
- Universal control power supply 80 – 300 V AC/DC, 40-70 Hz
- Password protection for tamper proofing
- Seamless integration with EMS/SCADA system with RS485 serial channel communication, Industry standard Modbus RTU protocol.
- Provision for Tamper proofing with meter casing*

*optional strip for tamper proofing

Pack	Cat.Nos	Model Series	Description	MRP* ₹/Unit
1	4149 84	PMX 6000	Dual Source LED meter CI 1 with RS485	5110
1	4149 85	PMX 6000	Dual Source LED meter CI 0.5 with RS485	6150

General Applications

Reduces energy cost by monitoring additional secondary sources such as generators along with EB's
 Suitable for any industry, Commercial, Buildings
 Control Panels, Distribution Panels, Genset Panels

PMX 7000

multifunction meter



4149 90



4149 91

- RoHS Compliance
- Bright LED display to view more than 25 parameters.
- Displays full range of parameters
Basic : VLL, VLN, A (Avg. & Phase Wise), F
Power: W, PF, VA (Avg. & Phase Wise)
Energy: Wh,
- Load Hours, Run Hours, Old Wh, Old Load Hours
- Auto scaling capability in adjustment of Kilo, Mega, Giga.
- Positive energy accumulation even with CT polarity reversal with reverse lock programmable
- High Accuracy with class 1 as per IEC 62053-21
- Site selectable CT/PT ratios
- Site selectable CT Secondary 1 A/5 A
- Universal control power supply 80 – 300 V AC/DC, 40-70 Hz
- Password protection for tamper proofing
- Seamless integration with EMS/SCADA system with RS485 serial channel communication, Industry standard Modbus RTU protocol.
- Provision for Tamper proofing with meter casing*

*optional strip for tamper proofing

Pack	Cat.Nos	Model Series	Description	MRP* ₹/Unit
1	4149 90	PMX 7000	MFM (VAF + W/VA/PF/Wh) LED meter CI 1 with RS485 [^]	4900
1	4149 91	PMX 7300	MFM LED meter CI 1	5950
1	4149 92	PMX 7300	MFM LED meter CI 1 with RS485	7100

General Applications

Ideal for replacement of multiple individual function meters with a comprehensive single Multi-function meter.
Suitable for any industry, Commercial space & Buildings
Control Panels, Distribution Panels, Genset Panels & OEM Panels

Note : [^] Basic (VLL, VLN, A, F) or W or VA or WH

PMX 7400

advance multifunction meter / load manager / demand monitor



4149 96

- RoHS Compliance
- Advance multifunction meter with High/Low recording of VLL, VLN, A, Hz, PF, Var with time stamp.
- Voltage & Current THD (Total Harmonics Distortion) with Individual harmonics up to 31st order.
- K-factor V & A to keep check on the losses due to harmonic load currents & their effects on transformer heating.
- Load manager with demand monitoring
- RTC based Demand management
- Import/Export/Net monitoring of Wh, VAH, VARh Inductive/Capacitive, Load hours
- Auto scaling capability in adjustment of Kilo, Mega, Giga.
- Positive energy accumulation even with CT polarity reversal with reverse lock programmable
- High Accuracy with class 1 as per IEC 62053-21 & class 0.5s as per IEC 62053-22
- Site selectable CT/PT ratios
- Site selectable CT Secondary 1 A/5 A
- Universal control power supply 80-300 V AC/DC, 40-70 Hz
- Password protection for tamper proofing
- Seamless integration with EMS/SCADA system with RS485 serial channel communication, Industry standard Modbus RTU protocol.
- Byte order option – Field Programmable Float/ Little Endian/ Big Endian data formats

Pack	Cat.Nos	Model Series	Description	MRP* ₹/Unit
1	4149 93	PMX 7400	MFM + THD LED meter CI 1 with RS485	9500
1	4149 94	PMX 7400	MFM + THD LED meter CI 0.5 with RS485	11600
1	4149 95	PMX 7410	MFM + THD + Demand monitoring LED meter CI 1 with RS485	13800
1	4149 96	PMX 7420	MFM + THD with Individual Harmonics + Demand + Import/Export LED meter CI 1 with RS485	14300
	4149 97	PMX 7420	MFM + THD with Individual Harmonics + Demand + Import/Export LED meter CI 0.5s with RS485	16300

General Applications

Process control
Data Centres
Motor control centres
Power control centres

PMX 8000

advance demand controller



4149 98

- RoHS Compliance
- Demand controller with 4 relay output
- High memory Data Logger (8MB) for storing multiple parameters.
- Predictive demand with date & time stamping
- Voltage & Current THD (Total Harmonics Distortion) with Individual harmonics up to 31st order.
- K-factor V & A to keep check on the losses due to harmonic load currents & their effects on transformer heating.
- Advance multifunction meter with High/Low recording of VLL, VLN, A, Hz, PF, Var with time stamp.
- RTC based Demand management
- Import/Export/Net monitoring of Wh, VAh, VAh Inductive/Capacitive, Load hours
- Auto scaling capability in adjustment of Kilo, Mega, Giga.
- Positive energy accumulation even with CT polarity reversal with reverse lock programmable
- High Accuracy with class 1 as per IEC 62053-21
- Site selectable CT/PT ratios
- Site selectable CT Secondary 1 A/5 A
- Universal control power supply 80 - 300 V AC/DC, 40-70 Hz
- Password protection for tamper proofing
- Seamless integration with EMS/SCADA system with RS485 serial channel communication, Industry standard Modbus RTU protocol.
- Byte order option - Field Programmable Float/ Little Endian/ Big Endian data formats

Pack	Cat.Nos	Model Series	Description	MRP* ₹/Unit
1	4149 98	PMX 8000	Demand Controller CI 1 with data logger + Bi directional + THD with Individual Harmonics	31600

General Applications

Process control
Data Centres
Motor control centres
Power control centres

PMX

PMX 1000

Technical specification

Bezel Dimension	96 x 96 mm
Panel Cutout	90 x 90 mm
Depth	50 mm
Accuracy	Class 1.0 as per IEC 2053-21
Sensing/ Measurement	True RMS, 1 Sec update time
Input Voltage	4 Voltage inputs (VR, VY, VB, VN); Programmable 110 or 415 LL Nominal (Range 80 – 550V LL) Primary Programmable up to 999 kV Burden: 0.2 VA Max. per phase
Input Current	Current inputs (AR, AY, AB) 50 mA – 6 A Field Selectable 1 A or 5 A Primary Programmable upto 99 kA. Overload: 10 A max continuous, 50 A max for 3 sec Burden: 0.2 VA Max. per phase.
Aux Supply (Control Power)	80 -300 V AC, 40-70 Hz Burden: 5 VA Max
Display resolution	4 Digits display with 14 mm height
Temperature	Operating: -10 °C to +55 °C Storage: -25 °C to +70 °C
Humidity	5% to 95% (noncondensing)
IP	IP 54 from front
Pollution Degree	2
Recommended Connection Wire Size:	2.5 Sq. mm with press sleeve
Weight	Unpacked: 300 gms Packed: 400 gms

PMX

PMX 4000

Technical specification

Bezel Dimension	96 x 96 mm
Panel Cutout	90 x 90 mm
Depth	50 mm
Accuracy	Class 1.0 as per IEC 62053-21
Sensing/ Measurement	True RMS, 1 Sec update time
Input Voltage	4 Voltage inputs (VR, VY, VB, VN); Programmable 110 or 415 LL Nominal (Range 80 – 550V LL) Primary Programmable up to 999 kV Burden: 0.2 VA Max. per phase
Input Current	Current inputs (AR, AY, AB) 50 mA – 6 A Field Selectable 1 A or 5 A Primary Programmable upto 99 kA. Overload: 10A max continuous, 50 A max for 3 sec Burden: 0.2 VA Max. per phase.
Aux Supply (Control Power)	Universal, 80 -300 V AC/DC, 40-70 Hz Burden: 5 VA Max
Display resolution	3 Row, 4 Digits display with 10 mm height
Temperature	Operating: -10 °C to +55 °C Storage: -25 °C to +70 °C
Humidity	5% to 95% (noncondensing)
IP	IP 54 from front
Pollution Degree	2
Communication	RS485 serial channel connection, Industry standard Modbus RTU protocol. Baud Rate: 4800 bps to 19200 bps. (Preferred 9600 bps) Isolation: 2000V AC isolation for 1 minute between communication and other circuits.
Recommended Connection Wire Size	2.5 Sq. mm with press sleeve
Weight	Unpacked: 300 gms Packed: 400 gms

PMX

PMX 5000

Technical specification

Bezel Dimension	96 x 96 mm
Panel Cutout	90 x 90 mm
Depth	50 mm
Accuracy	Class 1.0 as per IEC 62053-21
Sensing/ Measurement	True RMS, 1 Sec update time
Input Voltage	4 Voltage inputs (VR, VY, VB, VN); Programmable 110 or 415 LL Nominal (Range 50 – 550V LL) Primary Programmable up to 999 kV Burden: 0.2 VA Max. per phase
Input Current	Current inputs (AR, AY, AB) 500 mA – 6 A Field Selectable 1 A or 5 A Primary Programmable upto 99 kA. Overload: 10 A max continuous, 50 A max for 3 sec Burden: 0.2 VA Max. per phase.
Input Frequency	45-65 Hz
Aux Supply (Control Power)	Universal, 80 -300 V AC/DC, 40-70 Hz Burden: 5 VA Max
Display resolution	6 Digits display with 10 mm height
Temperature	Operating: -10 °C to +55 °C Storage: -25 °C to +70 °C
Humidity	5% to 95% (noncondensing)
IP	IP 54 from front
Pollution Degree	2
Communication	RS485 serial channel connection, Industry standard Modbus RTU protocol. Baud Rate: 4800 bps to 19200 bps. (Preferred 9600 bps) Isolation: 2000 V AC isolation for 1 minute between communication and other circuits.
Pulse Output	1200
Recommended Connection Wire Size	2.5 Sq. mm with press sleeve
Weight	Unpacked: 300 gms Packed: 400 gms

PMX

PMX 6000

Technical specification

Bezel Dimension	96 x 96 mm
Panel Cutout	90 x 90 mm
Depth	50 mm
Accuracy	Class 1.0 as per IEC 62053-21
Sensing/ Measurement	True RMS, 1 Sec update time
Input Voltage	4 Voltage inputs (VR, VY, VB, VN); Programmable 110 or 415 LL Nominal (Range 50-550 V LL) Primary Programmable up to 999 kV Burden: 0.2 VA Max. per phase
Input Current	Current inputs (AR, AY, AB) 500 mA – 6 A Field Selectable 1 A or 5 A Primary Programmable upto 99 kA. Overload: 10 A max continuous, 50 A max for 3 sec Burden: 0.2 VA Max. per phase.
Input Frequency	45-65 Hz
Aux Supply (Control Power)	Universal, 80 -300 V AC/DC, 40-70 Hz Burden: 5V A Max
Display resolution	6 Digits display with 10 mm height
Temperature	Operating: -10 °C to +55 °C Storage: -25 °C to +70 °C
Humidity	5% to 95% (noncondensing)
IP	IP 54 from front
Pollution Degree	2
Communication	RS485 serial channel connection, Industry standard Modbus RTU protocol. Baud Rate: 4800 bps to 19200 bps. (Preferred 9600 bps) Isolation: 2000 V AC isolation for 1 minute between communication and other circuits.
Recommended Connection Wire Size	2.5 Sq. mm with press sleeve
Weight	Unpacked: 300 gms Packed: 400 gms

PMX

PMX 7000/7300

Technical specification

Bezel Dimension	96 x 96 mm
Panel Cutout	90 x 90 mm
Depth	50 mm
Accuracy	Class 1.0 as per IEC 62053-21
Sensing/ Measurement	True RMS, 1 Sec update time
Input Voltage	4 Voltage inputs (VR, VY, VB, VN); Programmable 110 or 415 LL Nominal (Range 50-550 V LL) Primary Programmable up to 999 kV Burden: 0.2VA Max. per phase
Input Current	Current inputs (AR, AY, AB) 500 mA – 6 A Field Selectable 1 A or 5 A Primary Programmable upto 99 kA. Overload: 10 A max continuous, 50 A max for 3 sec Burden: 0.2 VA Max. per phase.
Input Frequency	45-65 Hz
Aux Supply (Control Power)	Universal, 80 - 300 V AC/DC, 40-70 Hz Burden: 5V A Max
Display resolution	6 Digits display with 10 mm height
Temperature	Operating: -10 °C to +55 °C Storage: -25 °C to +70 °C
Humidity	5% to 95% (noncondensing)
IP	IP 54 from front
Pollution Degree	2
Communication	RS485 serial channel connection, Industry standard Modbus RTU protocol. Baud Rate: 4800 bps to 19200 bps. (Preferred 9600 bps) Isolation: 2000V AC isolation for 1 minute between communication and other circuits.
Recommended Connection Wire Size	2.5 Sq. mm with press sleeve
Weight	Unpacked: 300 gms Packed: 400 gms

PMX

PMX 7400

Technical specification

Bezel Dimension	96 x 96 mm
Panel Cutout	90 x 90 mm
Depth	50 mm
Accuracy	Class 1.0 as per IEC 62053-21
Sensing / Measurement	True RMS, 1 Sec update time, 4 Quadrant Power & Energy
Input Voltage	4 Voltage inputs (VR, VY, VB, VN); Programmable 110 or 415 LL Nominal (Range 50-550 V LL) Primary Programmable up to 999 kV Burden: 0.2 VA Max. per phase
Input Current	Current inputs (AR, AY, AB) 500 mA – 6 A Field Selectable 1 A or 5 A Primary Programmable upto 99 kA. Overload: 10 A max continuous, 50 A max for 3 sec Burden: 0.2 VA Max. per phase.
Input Frequency	45-65 Hz
Aux Supply (Control Power)	Universal, 80-300 V AC/DC, 40-70 Hz Burden: 5 VA Max
Display resolution	4 Row, 6 Digits display with 10 mm height
Temperature	Operating: -10 °C to +55 °C Storage: -25 °C to +70 °C
Humidity	5% to 95% (noncondensing)
IP	IP 54 from front
Pollution Degree	2
Communication	RS485 serial channel connection, Industry standard Modbus RTU protocol. Baud Rate: 4800 bps to 19200 bps. (Preferred 9600 bps) Isolation: 2000 V AC isolation for 1 minute between communication and other circuits.
Recommended Connection Wire Size	2.5 Sq. mm with press sleeve
Weight	Unpacked: 300 gms Packed: 400 gms

PMX

PMX 8000

PMX

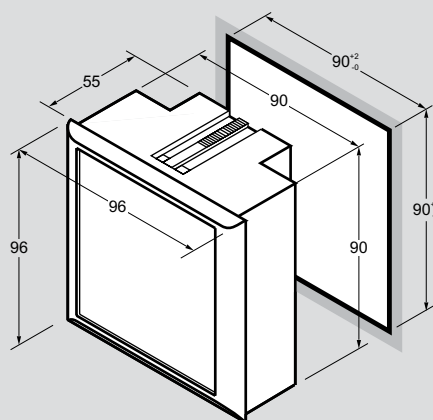
Technical specification

Bezel Dimension	96 x 96 mm
Panel Cutout	90 x 90 mm
Depth	50 mm
Accuracy	Class 1.0 as per IEC 62053-21
Sensing / Measurement	True RMS, 1 Sec update time, 4 Quadrant Power & Energy
Input Voltage	4 Voltage inputs (VR, VY, VB, VN); Programmable 110 or 415 LL Nominal (Range 50-550 V LL) Primary Programmable up to 999 kV Burden: 0.2 VA Max. per phase
Input Current	Current inputs (AR, AY, AB) 500 mA – 6 A Field Selectable 1A or 5A Primary Programmable upto 99 kA Overload: 10 A max continuous, 50 A max for 3 sec Burden: 0.2 VA Max. per phase.
Input Frequency	45-65 Hz
Aux Supply (Control Power)	Universal, 80-300 V AC/DC, 40-70 Hz Burden: 5 VA Max
Display resolution	4 Row, 6 Digits display with 10 mm height
Temperature	Operating: -10 °C to +55 °C Storage: -25 °C to +70 °C
Humidity	5% to 95% (noncondensing)
IP	IP 54 from front
Pollution Degree	2
Communication	RS485 serial channel connection, Industry standard Modbus RTU protocol. Baud Rate: 4800 bps to 19200 bps. (Preferred 9600 bps) Isolation: 2000 V AC isolation for 1 minute between communication and other circuits.
Recommended Connection Wire Size	2.5 Sq. mm with press sleeve
Weight	Unpacked: 300 gms Packed: 400 gms

Dimensions

Dimension Bezel: 96 x 96 mm
(Depth 50 mm behind Bezel)

Panel Cutout:
90⁺²₀ mm x 90⁺²₀ mm



Product parameters

Model	Description	Parameters						
		VLL	VLN	V Avg & Phase Wise	AMP	AMP - AVG & Phase Wise	Hz	PF
		RYB	RYB		RYB			
PMX 1100	1Ph Ammeter CI 1				✓ (SP)			
PMX 1200	1Ph Voltmeter CI 1		✓ (SP)					
PMX 1103	3Ph Ammeter CI 1				✓	✓		
PMX 1203	3Ph Voltmeter CI 1	✓	✓	✓			✓	
PMX 4000	3Ph VAF + PF meter CI 1	✓	✓	✓	✓	✓	✓	✓
PMX 4000	3Ph VAF + PF meter CI 1 with RS485	✓	✓	✓	✓	✓	✓	✓

Model	Description	Parameters															
		Basic						Power			Energy				Others		
		VLL	VLN	V Avg & Phase Wise	AMP	AMP - AVG & Phase Wise	Hz	W	PF	VA	kWh	Load Hrs	On Hrs	Old WH	Old LH	Hi. Amps	RPM
		RYB	RYB					RYB	RYB	RYB	RYB	RYB	RYB	RYB	RYB	RYB	RYB
PMX 5000	kWh LED meter CI1						✓*	✓*	✓*	✓*				✓			
PMX 5000	kWh LED meter CI1 with RS485						✓*	✓*	✓*	✓*				✓			
PMX 5000	kWh LED meter CI1 with Pulse Output						✓*	✓*	✓*	✓*				✓			
PMX 6000	Dual Source LED meter CI 1 with RS485	✓	✓	✓	✓	✓	✓	✓		✓	✓	✓	✓	✓			
PMX 6000	Dual Source LED meter CI 0.5 with RS485	✓	✓	✓	✓	✓	✓	✓		✓	✓	✓	✓	✓			
PMX 7000	MFM (VAF + W/VA/PF/Wh) LED meter CI 1 with RS485	✓	✓		✓		✓*	✓*	✓*	✓*				✓			
PMX 7300	MFM LED meter CI 1	✓	✓	✓	✓	✓	✓	✓	✓	✓	✓	✓	✓	✓	✓	✓	✓
PMX 7300	MFM LED meter CI 1 with RS485	✓	✓	✓	✓	✓	✓	✓	✓	✓	✓	✓	✓	✓	✓	✓	✓

Factory set
 ✓* Field selectable
 (SP) - Single Phase

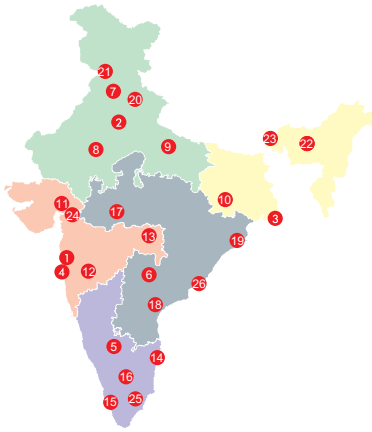
PMX

Product parameters

			PMX 7400	PMX 7400	PMX 7410	PMX 7420	PMX 7420	PMX 8000
			MFM + THD LED meter CI 1 with RS485	MFM + THD LED meter CI 0.5 with RS485	MFM + THD + Demand monitoring LED meter CI 1 with RS485	MFM + THD with Individual Harmonics + Demand + Import/Export LED meter CI 1 with RS485	MFM + THD with Individual Harmonics + Demand + Import/Export LED meter CI 0.5s with RS485	Demand Controller CI 1 with data logger + Bi directional + THD with Individual Harmonics
Basic	VLL	R/Y/B	✓	✓	✓	✓	✓	✓
	VLN	R/Y/B	✓	✓	✓	✓	✓	✓
	V Avg & Phase Wise		✓	✓	✓	✓	✓	✓
	AMP	R/Y/B	✓	✓	✓	✓	✓	✓
	AMP - AVG & Phase Wise		✓	✓	✓	✓	✓	✓
	Neutral Current Computed		✓	✓	✓	✓	✓	✓
	RPM		✓	✓	✓	✓	✓	✓
	Hz		✓	✓	✓	✓	✓	✓
	Phase Angle	V & A	✓	✓	✓	✓	✓	✓
Unbalance (%)	V & A	✓	✓	✓	✓	✓	✓	
Power	Active Power	R/Y/B	✓	✓	✓	✓	✓	✓
	Power Factor	R/Y/B	✓	✓	✓	✓	✓	✓
	Apparent Power	R/Y/B	✓	✓	✓	✓	✓	✓
	Reactive Power	R/Y/B	✓	✓	✓	✓	✓	✓
Energy	Active Energy	Wh	✓	✓	✓	✓	✓	✓
	Apparent Energy	Vah	✓	✓	✓	✓	✓	✓
	Reactive Energy	VARh-Ind, VARh-Cap	✓	✓	✓	✓	✓	✓
	Load Hrs		✓	✓	✓	✓	✓	✓
	No. of Interruption		✓	✓	✓	✓	✓	✓
	Life Timer		✓	✓	✓	✓	✓	✓
	"Old Register (Wh, Vah, VARh, Ind/Cap, LH, PF, AVG, Ah)"		✓	✓	✓	✓	✓	✓
Harmonics	Voltage THD	THD%, VR, VY, VB	✓	✓	✓	✓	✓	✓
	Current THD	THD%, AR, AY, AB	✓	✓	✓	✓	✓	✓
	K Factor	VR, VY, VB, AR, AY, AB	✓	✓	✓	✓	✓	✓
Events (High / Low) with Time Stamping	Voltage		✓	✓	✓	✓	✓	✓
	Current		✓	✓	✓	✓	✓	✓
	Frequency		✓	✓	✓	✓	✓	✓
	VA		✓	✓	✓	✓	✓	✓
	Watts		✓	✓	✓	✓	✓	✓
	VAR		✓	✓	✓	✓	✓	✓
	Power Factor		✓	✓	✓	✓	✓	✓
Demand Monitoring	Active Power	Watt			"Sliding Window (Any One)"	"RTC (Any One)"	"RTC (Any One)"	Demand Controller
	Apparent Power	VA						
	Reactive Power	VARh-Ind, VARh-Cap						
	Current Average	A Avg						
Data Logger (8MB) with Time Stamp								✓
Export / Import / Net Metering					✓	✓		✓
Individual Harmonics	31st Harmonics	V & A				✓	✓	✓

NOTES

Lined area for notes with horizontal dotted lines.



Head office

- 61 & 62, 6th Floor,
Kalpataru Square, Kondivita Road,
Off Andheri-Kurla Road, Andheri (E),
MUMBAI – 400 059.
Tel : (022) 3041 6200
Fax : (022) 3041 6201
Website : www.legrand.co.in

Regional sales offices

- A-25, Mohan Co-operative
Industrial Estate, Mathura Road,
NEW DELHI - 110 044.
Tel : (011) 3990 2200, 2699 0046,
(011) 2699 0028 / 29 / 30 / 31
Fax : (011) 2699 0047
- Bhakta Towers, 2nd & 3rd Floor,
Plot No. KB 22, Sector-III, Saltlake,
KOLKATA – 700 098.
Tel : (033) 4021 3535 / 36
Fax : (033) 4021 3537
- C/203, Corporate Avenue, Atul Projects,
Near Mirador Hotel, Chakala,
Andheri Ghatkopar Link Road,
Andheri – East, **MUMBAI** – 400 099.
Tel : (022) 3385 6200 / 62301000 **INNOVAL**
- Ferozes Manor,
Situating at 58 Hospital Road,
Shivaji Nagar,
BANGALORE – 560 001.
Tel : (080) 6822 0000 **INNOVAL**
- 205-208, 2nd Floor,
Block - II, White House,
Kundan Bagh, Begumpet,
HYDERABAD – 500 016.
Tel : (040) 2341 4398 / 67, 4567 1717
Fax : (040) 4567 1730

Branch offices

- SCO 1-2-3, Second Floor, Sector 17B,
CHANDIGARH – 160 017.
Tel : (0172) 305 8631 / 32 / 33 / 34 / 35
Fax : (0172) 501 9008
- 507-510, Vth Floor, Soni Paris Point,
Jai Singh Highway, Banipark,
JAIPUR – 302 016.
Telefax : (0141) 511 3129, 510 1179
- 209-A, 2nd Floor, Cyber Heights,
Opp. Indira Gandhi Pratishthan,
Vibhuti Khand, Gomti Nagar
LUCKNOW – 226 010.
Tel : (522) 319 2031 / 32 / 33 **INNOVAL**
- 202 & 203, 2nd Floor, Sunrise,
Forum 100, Burdwan Compound, Lalpur,
RANCHI – 834 001.
Tel : (651) 660 5400
- A 101-102, Mondeal Heights,
Besides Novotel Hotel, Sarkhej
Gandhinagar Highway (S G Highway),
AHMEDABAD – 380 015.
Tel : (079) 6134 0555 **INNOVAL**
- 402, Swastik Chambers,
Near Ashwamegh Marriage Hall,
Behind HP Petrol Pump,
Off Karve Road, Erandwane,
PUNE – 411 004.
Tel : (020) 6729 5601 / 602
Fax : (020) 6729 5604
- Plot No.95, II Floor, Shreyash Heights,
VIP Road, Ramdaspath,
NAGPUR – 440 010.
Tel : (0712) 662 7857 / 858
Fax : (0712) 662 7859
- 10 B, (10th Floor), Prestige Center Court
Office Block Vijaya Forum Mall, #183,
N.S.K. Salai, Vadapalani
CHENNAI – 600 026.
Tel : (044) 6612 2800 / 2362 3125 / 35 / 45
Fax : (044) 2362 3165 **INNOVAL**
- J. B. Manjoran Estate, Door No 50/1107A9,
3rd Floor, Bye Pass Junction, Edappally,
COCHIN – 682 024.
Tel : (0484) 280 1921 / 2921, 658 0921
Fax : (0484) 280 1921 / 2921 **INNOVAL**
- B-5, 1st Floor, Thirumalai Towers,
723, Avanashi Road,
COIMBATORE – 641 018.
Tel : (0422) 222 3634 / 0283
Fax : (0422) 222 3164 **INNOVAL**

- 204-205, Megapolis Square,
579, M G Road,
INDORE – 452 001.
Tel : (0731) 4999 891 / 892
- MF-2, Datta's Lords House,
Jammi Chettu Street, Mogalrajapuram,
VIJAYAWADA – 520 010.
Tel : (0866) 661 1393, 664 6393
Fax : (0866) 669 9393
- Plot No. 359,
Saheed Nagar, 2nd Floor,
BHUBANESWAR – 751 007.
Tel : (0674) 254 0623

Area offices

- Unit - 1 & 2, Vijay Park,
Main Chakrata Road,
DEHRADUN – 248 001.
Uttarakhand.
Tel : (0135) 661 6100 **INNOVAL**
- Cabin No. 9,
Second Floor,
Madhok Trade Centre,
Madhok Complex,
Ferozpur Road,
LUDHIANA – 141 001.
Tel : (0161) 277 0301 / 2 / 3 / 4
- House No. 97, Ground Floor,
Rajgarh Main Road,
Opp. City Heart Nursing Home,
GUWAHATI – 781 007.
Tel : (0361) 245 8498
- 94, Udham Singh Sarani,
Ground Floor, Ashrampara,
SILIGURI – 734 001.
Tel : (0353) 264 1067
- 405, City Centre, Sosyo Circle,
Udhana Magdalla Road,
SURAT – 395 002.
Tel : (0261) 263 3861
- Aparna Towers, 1st Floor,
2/3, Bypass Road,
MADURAI – 625 010.
Telefax : (0452) 230 8414
- 404, Eshwar Plaza,
Dwaraka Nagar, Main Road,
Beside Bata Show Room,
VISHAKHAPATNAM – 530 016.
Tel : (0891) 663 5652
Fax : (0891) 663 9363

Technical assistance from Legrand

Telephonic technical assistance for selection of products, technical information, guidance, wiring diagrams and estimation is now made available to you at each Regional Office. Contact the Technical Officer of Legrand at the following telephone numbers

- New Delhi** : Tel.: (011) 2699 0028, 3990 2200
Kolkata : Tel.: (033) 4021 3535 / 36
Mumbai : Tel.: (022) 3385 6200
Bangalore : Tel.: (080) 6822 0000
Hyderabad : Tel.: (040) 2341 4398 / 67, 4567 1717

For other places, contact the nearest
Regional / Branch / Area offices

customer.care@legrand.co.in

